



US00D612110S

(12) **United States Design Patent**
Kerns

(10) **Patent No.:** **US D612,110 S**

(45) **Date of Patent:** **** Mar. 16, 2010**

- (54) **CATTLE HEAD RESTRAINT**
 - (75) Inventor: **Russell W. Kerns**, Jane Lew, WV (US)
 - (73) Assignee: **Black Hills Agricultural Equipment Inc.**, Spearfish, SD (US)
 - (**) Term: **14 Years**
 - (21) Appl. No.: **29/335,986**
 - (22) Filed: **Apr. 27, 2009**
 - (51) **LOC (9) Cl.** **30-04**
 - (52) **U.S. Cl.** **D30/151**
 - (58) **Field of Classification Search** D30/151,
D30/152, 144; 119/730-737, 752, 762, 766;
452/54
- See application file for complete search history.

(56) **References Cited**
U.S. PATENT DOCUMENTS

1,572,982	A *	2/1926	Barger et al.	119/729
2,564,317	A	8/1951	Whitworth	119/733
3,572,295	A *	3/1971	Tansel	119/730
3,691,998	A *	9/1972	Luinstra	119/734
3,960,113	A *	6/1976	Kratky	119/723
4,116,166	A *	9/1978	Gofflot	119/730
4,702,200	A *	10/1987	Simington	119/734
5,065,701	A *	11/1991	Punt	119/729
5,645,016	A	7/1997	Mahurin	119/751
6,537,145	B1 *	3/2003	Derouin et al.	452/54
7,225,759	B2 *	6/2007	Kerns	119/732
2006/0169220	A1 *	8/2006	Kerns	119/732

2009/0266308 A1* 10/2009 Kerns 119/734

FOREIGN PATENT DOCUMENTS

GB 814686 6/1959

* cited by examiner

Primary Examiner—Susan Moon Lee

(74) Attorney, Agent, or Firm—Alvin T. Rockhill

(57) **CLAIM**

The ornamental design for a cattle head restraint, as shown and described.

DESCRIPTION

FIG. 1 is a front perspective view of a cattle head restraint showing my new design which is mounted onto a head gate with a cow being restrained therein for illustrative purposes only.

FIG. 2 is a front perspective view of the cattle head restraint.

FIG. 3 is a front view of the cattle head restraint.

FIG. 4 is a back view of the cattle head restraint.

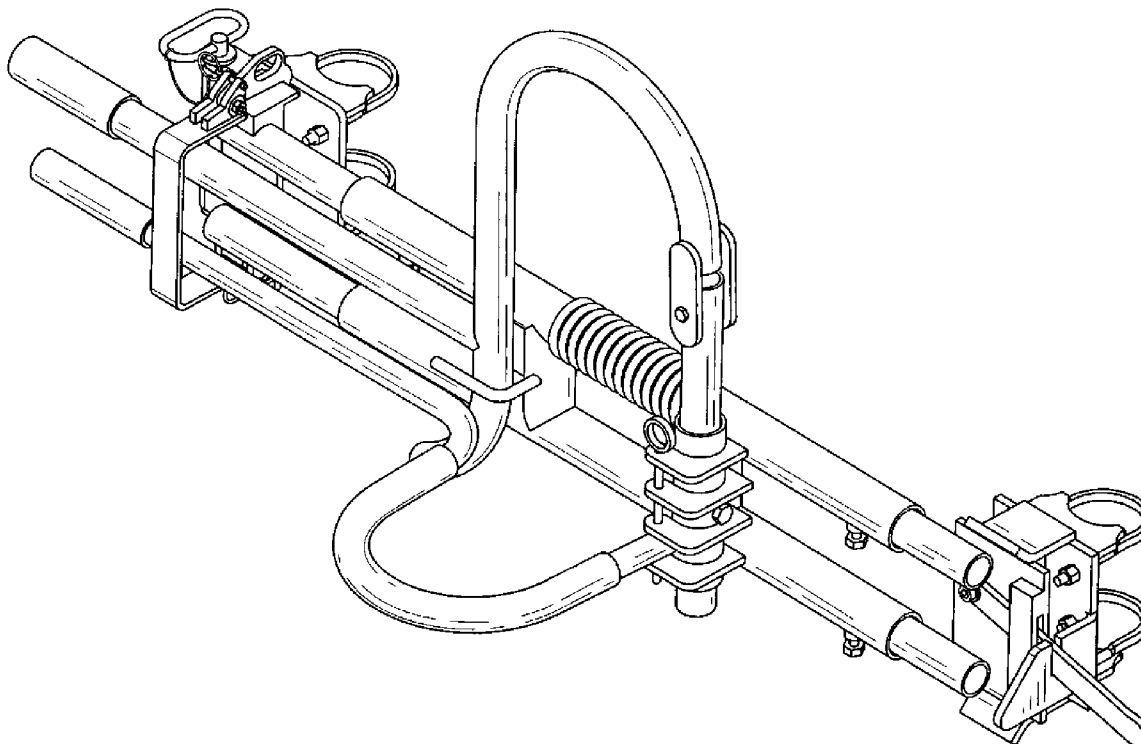
FIG. 5 is a top view of the cattle head restraint.

FIG. 6 is a bottom view of the cattle head restraint.

FIG. 7 is a left side view of the cattle head restraint; and,

FIG. 8 is a right side view of the cattle head restraint. The subject matter shown in broken lines, including the head gate and the cow, is for illustrative purposes only and does not constitute any part of the claimed design.

1 Claim, 7 Drawing Sheets



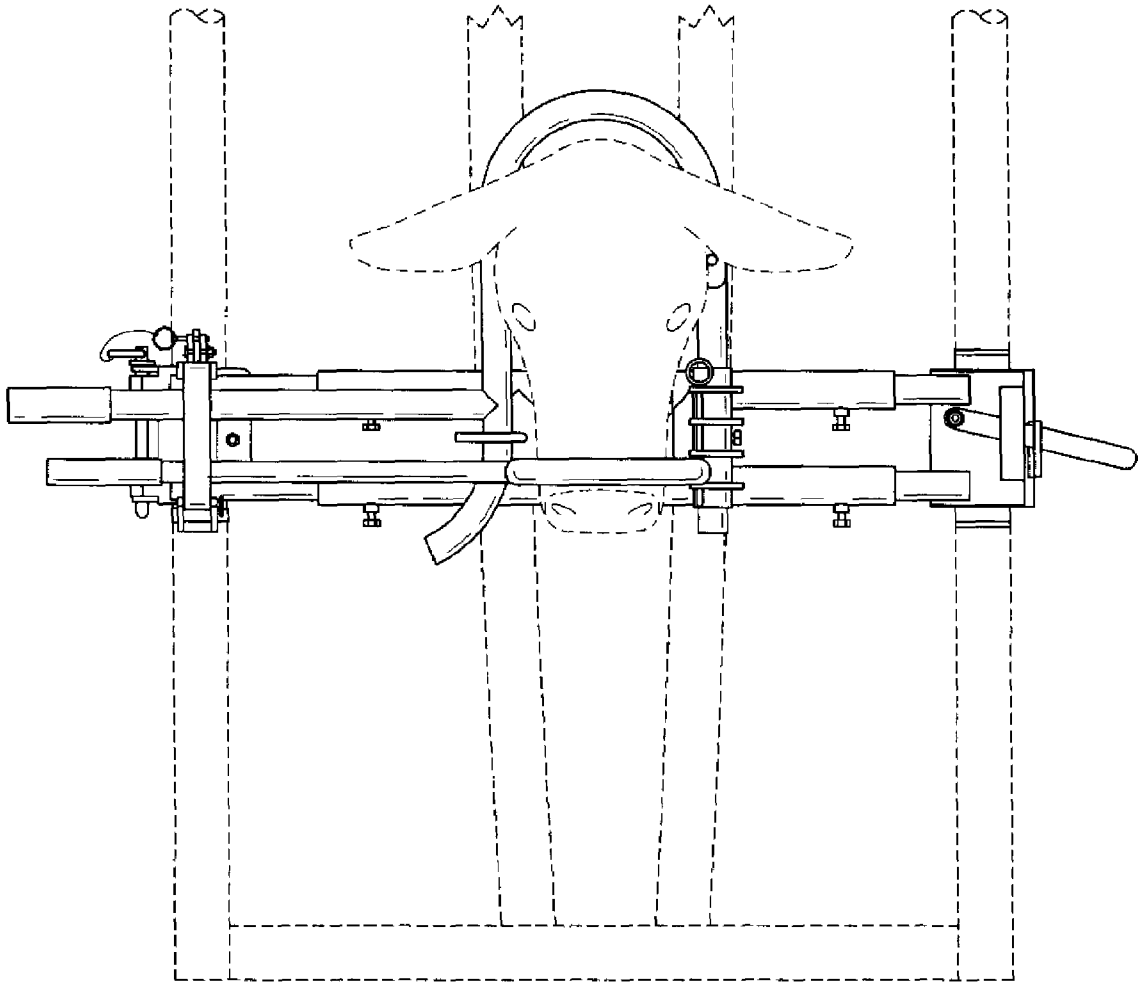


FIG-1

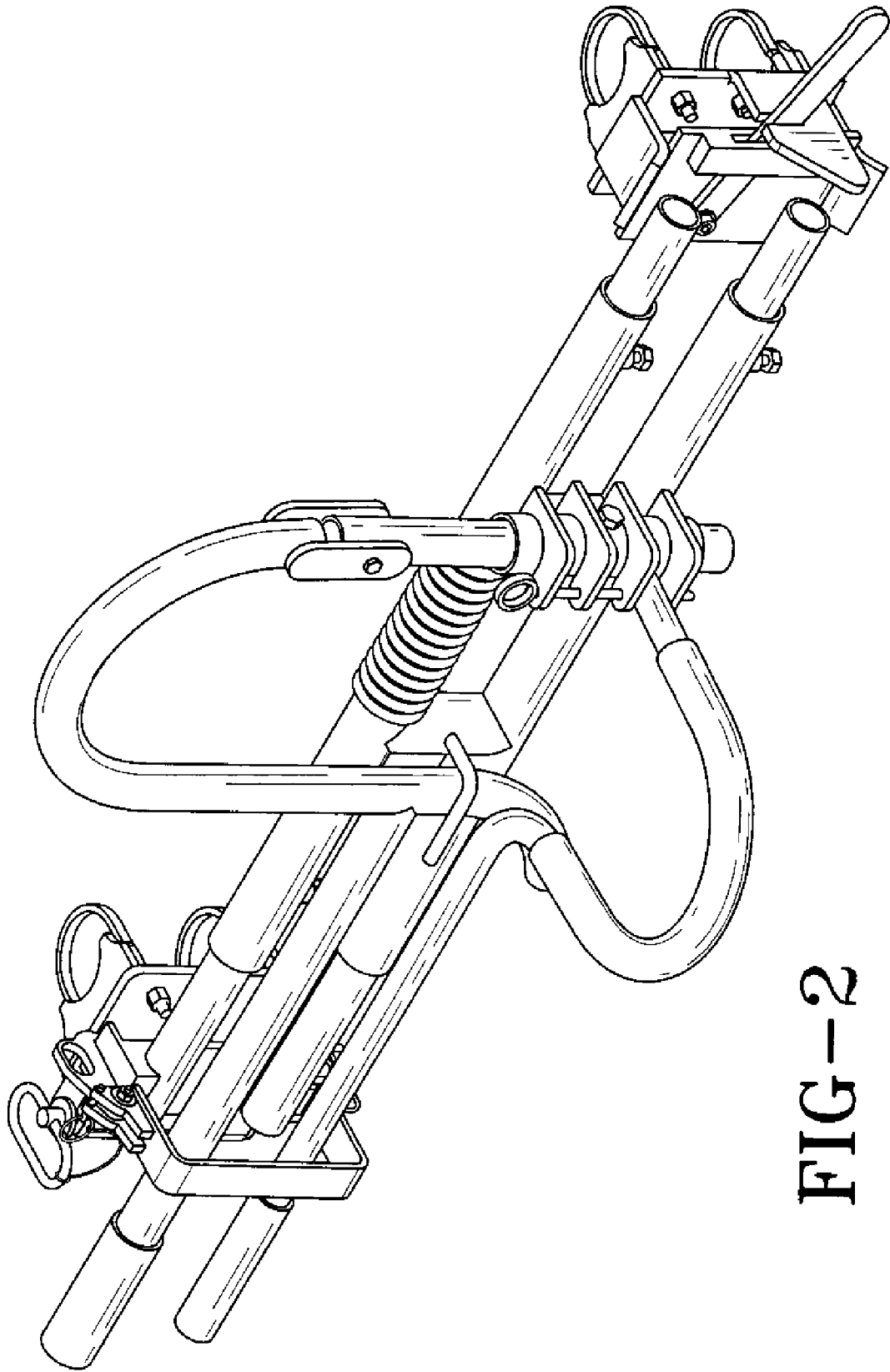


FIG-2

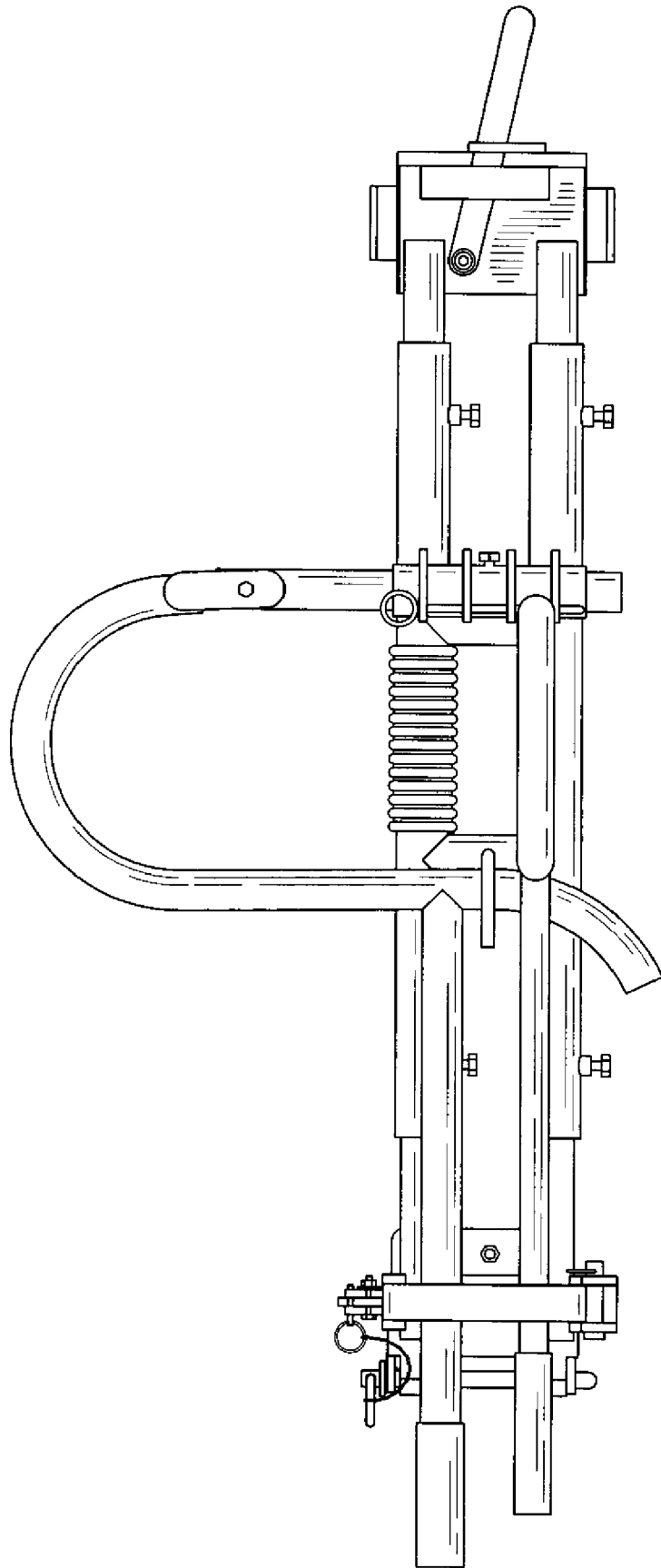


FIG-3

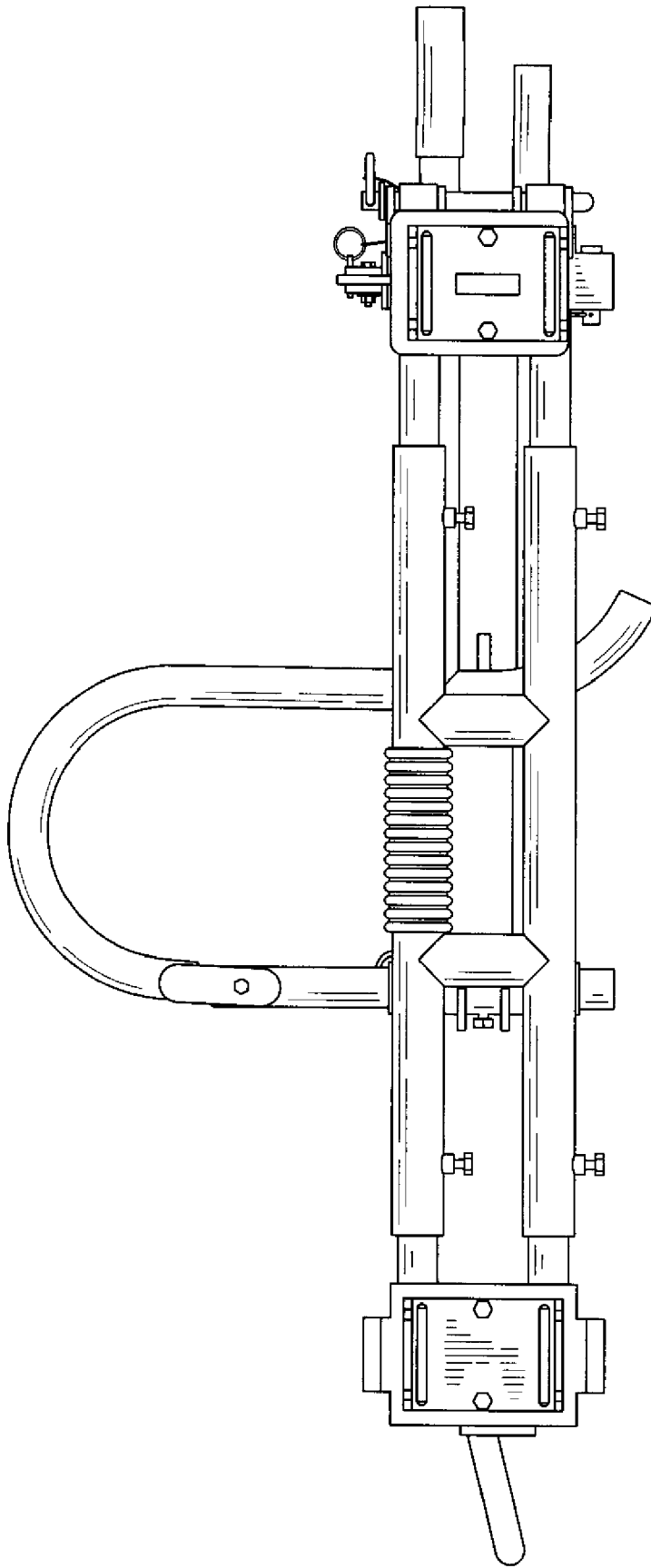


FIG-4

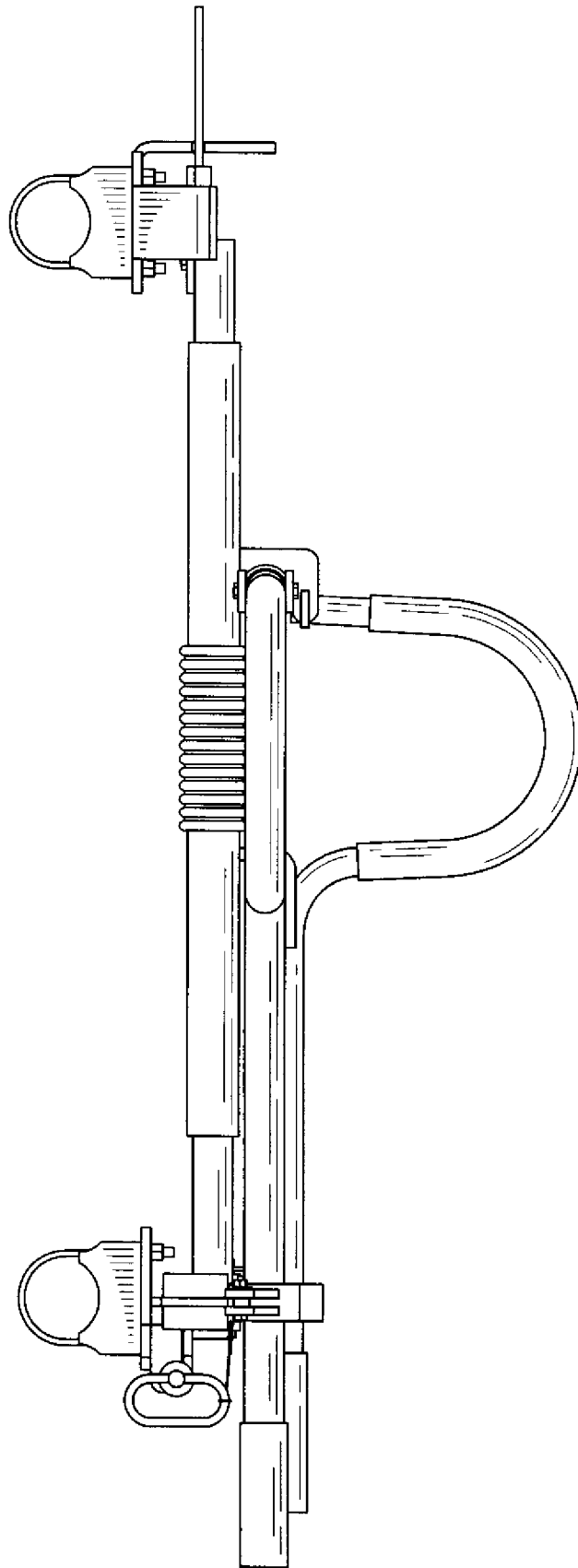


FIG-5

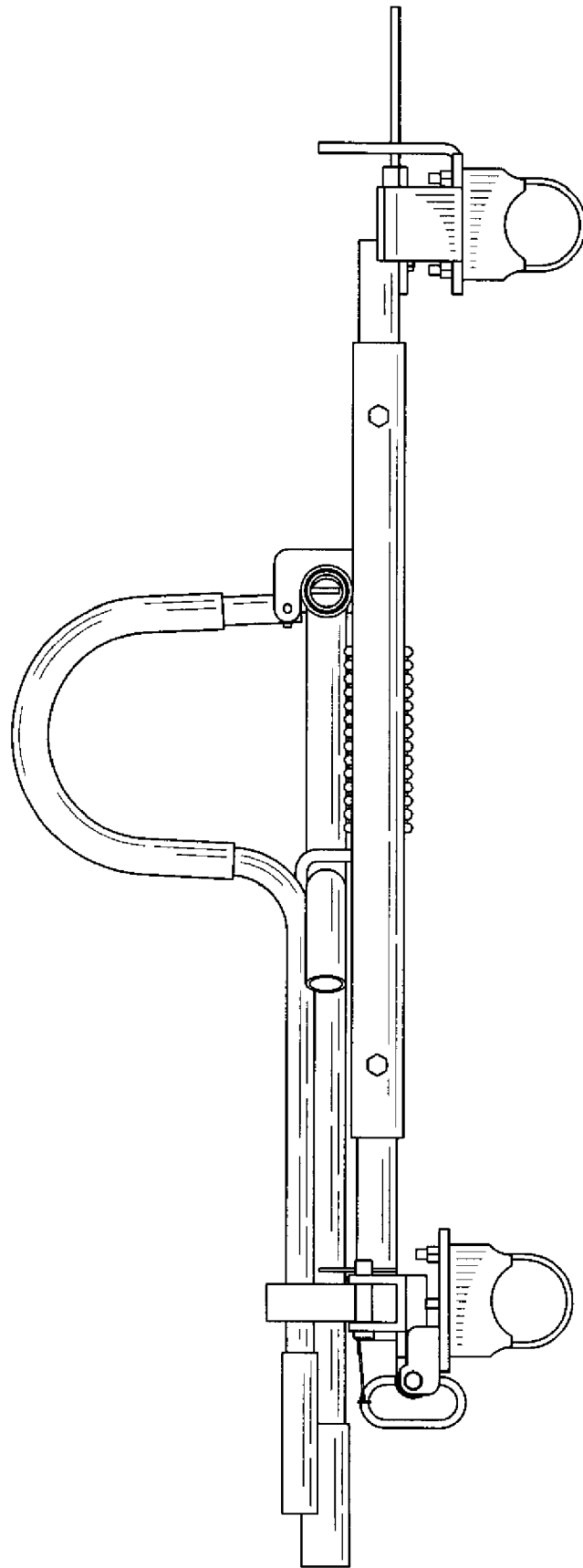


FIG-6



FIG-8

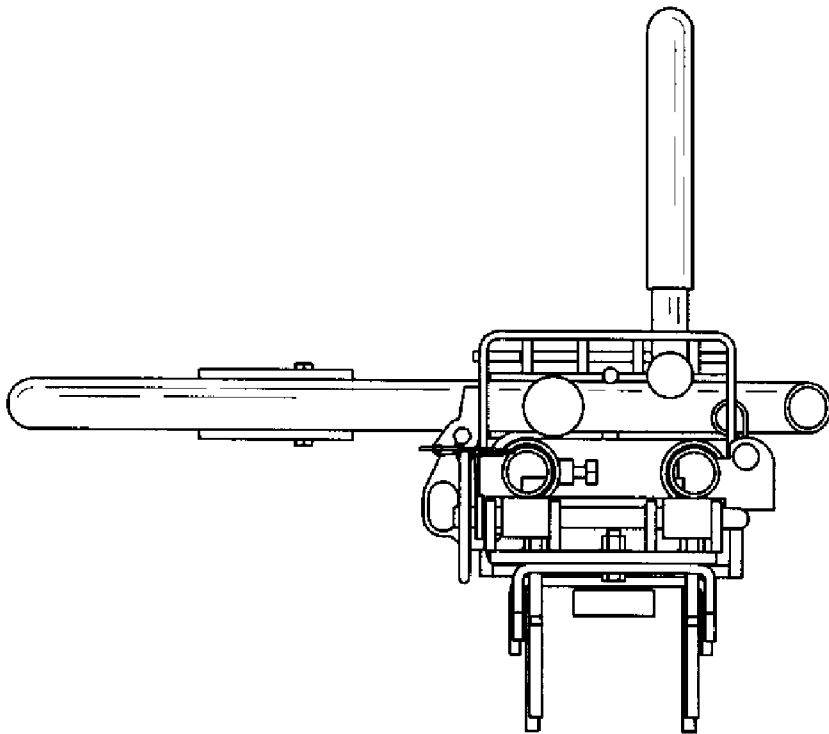


FIG-7